

FAN COIL UFAD

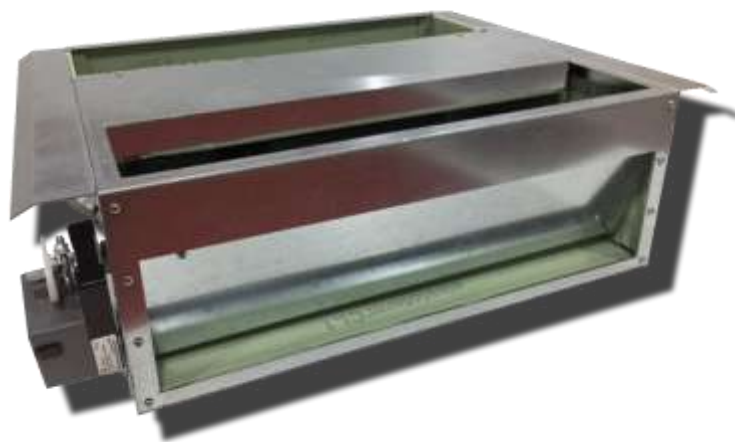


# ONE-WF/-IC-/-B/-BHE

## Air handling terminal units for raised floors

Thermal and refrigerant power from 0,5 to 2,9 kW

Air flow 400 m<sup>3</sup>/h



## Features

---

The ONE series fan coils are Ufad active terminals that are completely integrated into the raised access floor, positionable under the floor into the space of a 60x60 tile. They are designed to operate in heating and in cooling. It allows to obtain a high comfort in air dehumidification thanks to the 3-row heat exchange coil.

The ONE units have been designed in 4 variants to best fit all plant requirement. The two variations with water coil allow to have the return air from the plenum under the floor or from the same tile of air inlet to the environment. The booster variation has a damper that allows to mix the air coming from the plenum under the floor with that air coming from the environment. At this last version is possible to add an electric heater to increase the thermal potential of the unit.

The ONE series fan coils are particularly suitable to be installed in combination with the air conditioning machines of the EAM series, for the air treatment in confined spaces and perimeter areas where it is necessary to ensure high thermal performances for an optimal level of comfort.

Self supporting **structure** made entirely in galvanized steel.

Forward blades centrifugal **fan** with double suction and directly coupled motor. The motor speed can be selected by choosing from 7 possible configurations. Available hydraulic head over 70 Pa.

3-row **battery** (where present) powered by water and made of copper tube with aluminum fins.

Condensate **drain pan** (where present) in galvanized steel.

**Regulation damper** (where present) is controlled by the electric control board and allows the mixing of the return air from under the floor with the return air from the room, by means of a control on the desired room temperature.

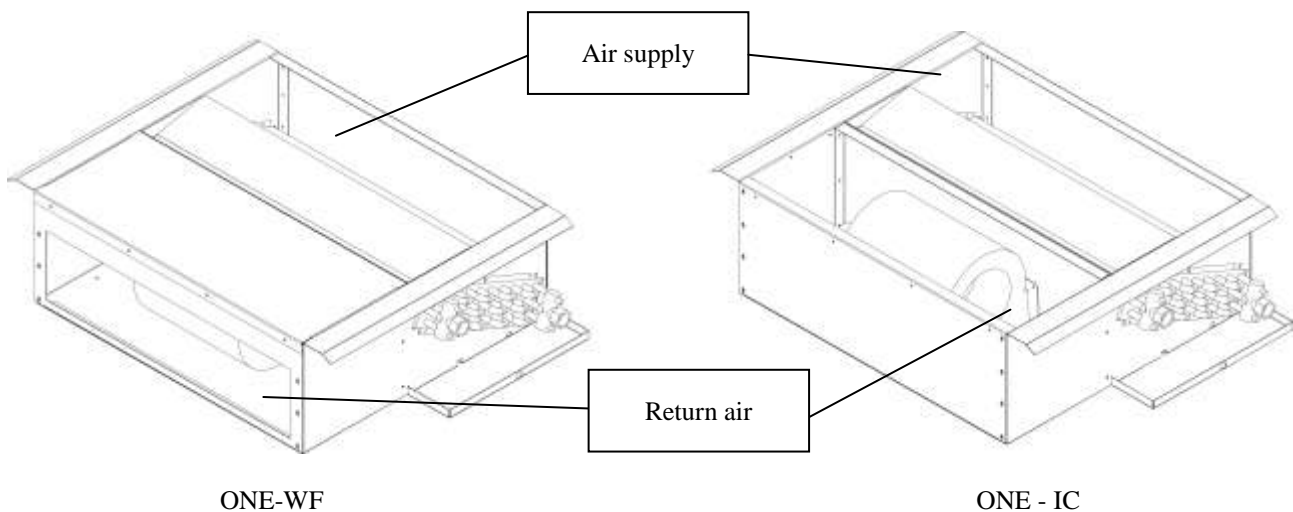
## Accessories

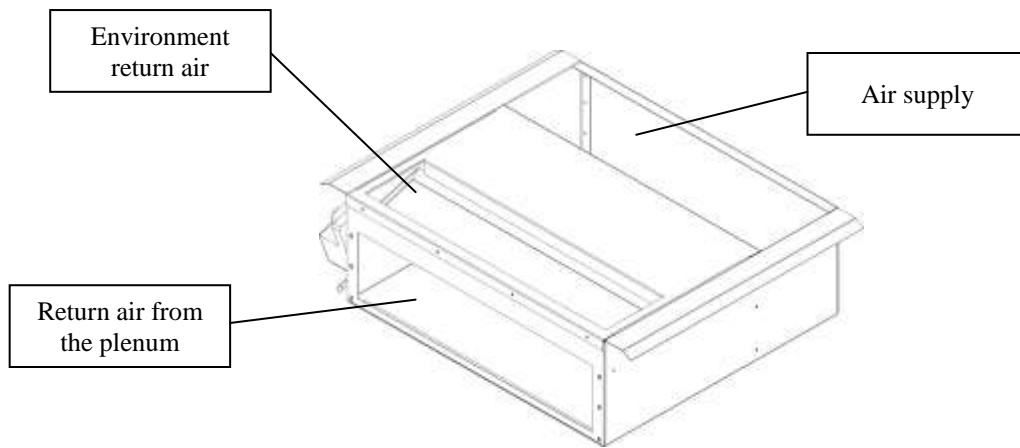
---

- **Condensate pump** to discharge the condensate from the machine.
- **Return and supply air walkable grille** in aluminum 600x200 (model BP).
- **Return and supply air walkable grille** in stainless steel 600x200 (model BPs).

## Manufacture

---





ONE-B/-BHE

### Configurations

The ONE series fan coils were designed to be available in 4 different ways to best adapt to every type of installation.

ONE-WF		<p><b>WATER FAN COIL</b> UTA with underfloor canalized air distribution or free subfloor</p> <p><b>FAN COIL AD ACQUA</b> UTA con distribuzione dell'aria sottopavimento canalizzata o libera</p>
ONE-IC		<p><b>ISLAND OF COMFORT</b> UTA with air recirculation around the workstation</p> <p><b>ISOLA DI COMFORT</b> UTA con ricircolo dell'aria intorno alla postazione di lavoro</p>
ONE-B		<p><b>BOOSTER UNIT</b> AHU with supply and return air to the floor, thanks to the motorized damper for air mixing</p> <p><b>UNITA' BOOSTER</b> AHU con alimentazione e ritorno dell'aria a pavimento, grazie alla valvola motorizzata per la miscelazione dell'aria</p>
ONE-BHE		<p><b>ELECTRIC BOOSTER UNIT</b> Booster units with possible post treatment via electrical resistance</p> <p><b>UNITA' BOOSTER ELETTRICA</b> Unità booster con eventuale post trattamento tramite resistenza elettrica</p>

## Technical data

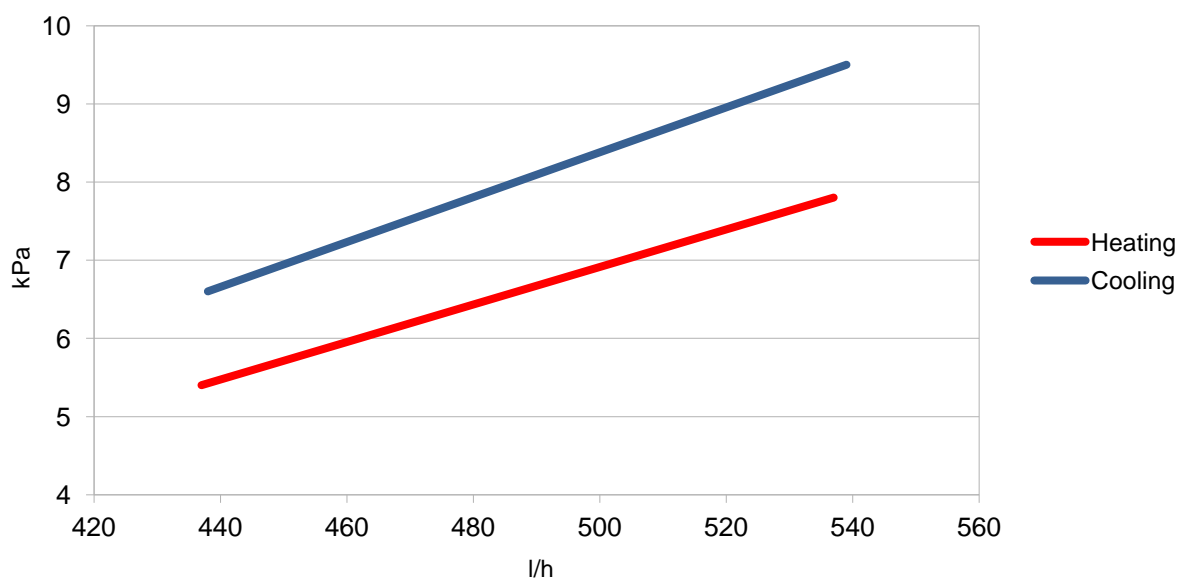
		ONE-WF/IC	ONE-B	ONE-BHE
<b>VENTILATION - VENTILAZIONE</b>				
Air Flow (max – med – min speed) - Portata Aria (max – med – min velocità)	m <sup>3</sup> /h	450 380 280	470 400 300	470 400 300
Fans - Ventilatori	n	1	1	1
Noisiness at the max speed at 1,5 m Rumorosità alla vel.max a 1,5 m	dB(A)	36,2	38,2	38,2
Residual Hydraulic Head - Prevalenza Utile Residua	Pa	70	70	70
Electric resistance – Resistenza elettrica	W	-	-	500
<b>COIL - BATTERIA</b>				
N° Ranks - N° Ranghi	n	3	-	-
Connections - Attacchi		1/2"	-	-
Frontal surface – Superficie frontale	m <sup>2</sup>	0,14		
Fins surface – Superficie alette	m <sup>2</sup>	5,76		
Water content – Contenuto acqua	dm <sup>3</sup>	0,82		
<b>COOLING POWER – POTENZA FRIGORIFERA</b>				
Inlet temperature / Outlet temperature Temperatura Entrata / Uscita Fluido	°C	7,0 / 12,0		
Water Flow - Portata Acqua	l/h	500		
Drop of Fluid Load - Perdita di Carico Fluido	kPa	8,8		
Inlet Air temperature - Temperatura Entrata Aria	°C	27,0 50% U.R.		
Outlet Air Temperature - Temperatura Uscita Aria	°C	9,8 60% U.R.		
Total Refrigeration Power - Potenza Frigorifera Totale	kWf	2,90		
Sensible Power - Potenza Sensibile	kWf	1,90		
Corrective factor for yield at maximum speed – Fattore correttivo per resa alla massima velocità		1,09		
Corrective factor for yield at minimum speed – Fattore correttivo per resa alla minima velocità		0,88		
<b>HEATING POWER – POTENZA RISCALDAMENTO</b>				
Inlet / Outlet fluid temperature Temperatura Entrata / Uscita Fluido	°C	45,0 / 40,0		
Water Flow - Portata Acqua	l/h	490		
Drop of Fluid Load - Perdita di Carico Fluido	kPa	7,0		
Inlet Air temperature - Temperatura Entrata Aria	°C	20,0		
Outlet Air Temperature - Temperatura Uscita Aria	°C	40,0		
Thermal Power -Potenza Termica	kWt	2,70		0,5
Corrective factor for yield at maximum speed – Fattore correttivo per resa alla massima velocità		1,10	1,10	1,10
Corrective factor for yield at minimum speed – Fattore correttivo per resa alla minima velocità		0,9	0,9	0,9
<b>ELECTRICAL SUPPLY – ALIMENTAZIONE ELETTRICA</b>				
Electrical Supply - Alimentazione Elettrica	V/F/Hz	230/1/50	230/1/50	230/1/50
Max Absorbed Power - Potenza Massima Assorbita	W	60	60	560
Absorbed Current - Corrente Assorbita	A	0,27	0,27	2,40
<b>DIMENSIONS AND WEIGHT – DIMENSIONI E PESO</b>				
Length – Lunghezza (L)	mm	500	550	550
Width – Larghezza (W)	mm	660	550	550

Height – Altezza (H)	mm	200	200	200
Weight - Peso	Kg	18	12	13

### Sound pressure level – Livello di pressione sonora

	Hz	63	125	250	500	1000	2000	4000	Tot
Noise max speed		44,3	50,5	48,8	44,8	42,6	36,9	28,5	<b>38,9</b>
Noise medium speed	dB(A)	42,6	49,7	48,2	42,7	40,2	33,8	25	<b>36,1</b>
Noise min speed		38,6	44,1	44,9	37	33,4	24,9	17,3	<b>34,3</b>

### FLOW-PRESSURE DROP



\*Chart for ONE-WF/IC



A trademark of CBI Europe S.p.a.

Via Mons. A.O. Romero, 14 60027 Osimo (AN) \_ Italy

Tel. + 39 071 0977431 – info@cbi-clima.com